

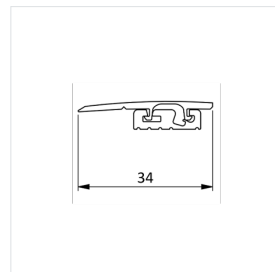
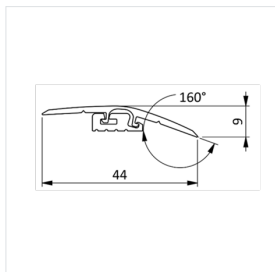
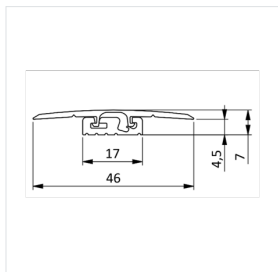


LayRed Profile

Technical data sheet
English

General information

Multifunctional profile to finish your floor in matching colours. Simply cut the basic profile to the desired shape.



Contents

Composition

Colour

Top profile

PVC

Colour matched

Multifunctional rail

Polystyrene

Black

Order code

Dimensions

MODVPL

1930 x 46 x 17 mm

Applicable for:

Moduleo LayRed floors.

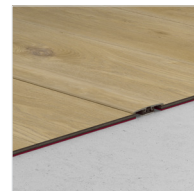
The floor must be able to expand and contract on all sides. This is why an expansion gap must be provided on all sides of the floor, around pipes, thresholds and under door frames. The exact expansion joint size depends on the floor type. Consult the installation instructions of your Moduleo floor to know the required size of the expansion gap. To finish off this gap, we offer a wide range of skirting and profiles.

Applications

With the 3 in 1 profile, you can finish your floor in every situation.

01 Expansion profile

Connect two floors of the same height: in doorways, L-shaped rooms, or rooms where the floor length or width is greater in distance than 12m.



02 Adapter profile

Connect two floors of different heights. Make the transition from your vinyl floor to a floor covering at lower height, like tiles.



03 End profile

Finish your floor along walls, windows, sliding doors, a slightly higher doorstep or tile floor.



Features

Moduleo accessories are specifically developed for Moduleo floors.

Perfectly matching colour

The LayRed profile is available in a design that matches your floor perfectly.

Excellent wear- and scratch resistant surface

The durable toplayer makes the profile resistant to scratches and wear.

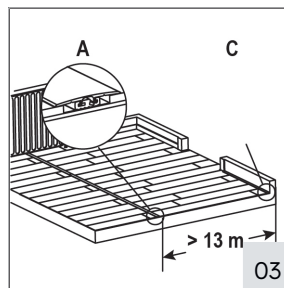
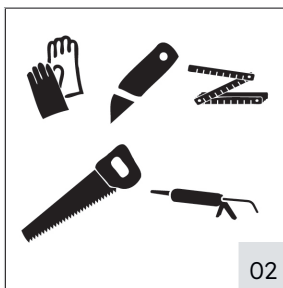
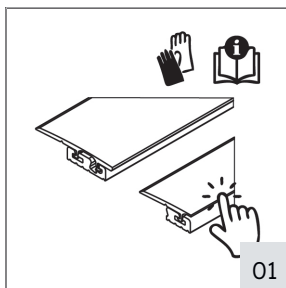
Waterproof

The profile is fully waterproof.

Easy to install

Easy installation with the included rail, to be glued with the Moduleo MSK Adhesive.

Preparation

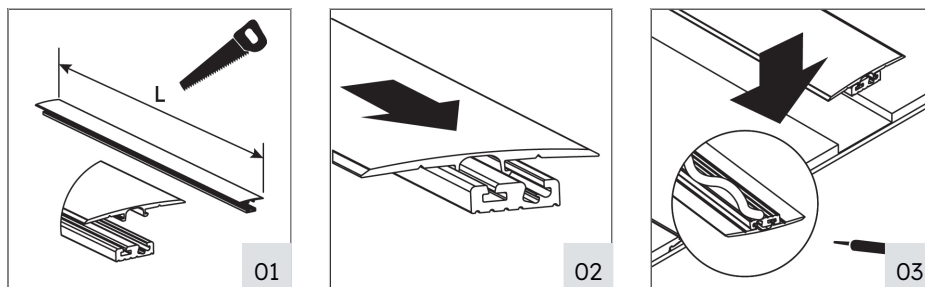


- 01 **Always wear gloves - the edge of the profile and the blade are sharp. Read the instructions carefully before use.**
- 02 A box cutter can be used to cut the profile to the desired profile shape. When cutting the profile, always lay it horizontally on a stable surface. Use a hand saw to cut the profile to the correct length.
- 03 While installing the floor, be sure to allow sufficient space between the two surfaces that will be joined with the profile. Mark the ground to indicate how far the edge of the floor will extend. Ensure that there is a sufficient expansion gap between the floor and the raised legs of the rail, in which the profile will be clamped.

Installation

Expansion profile

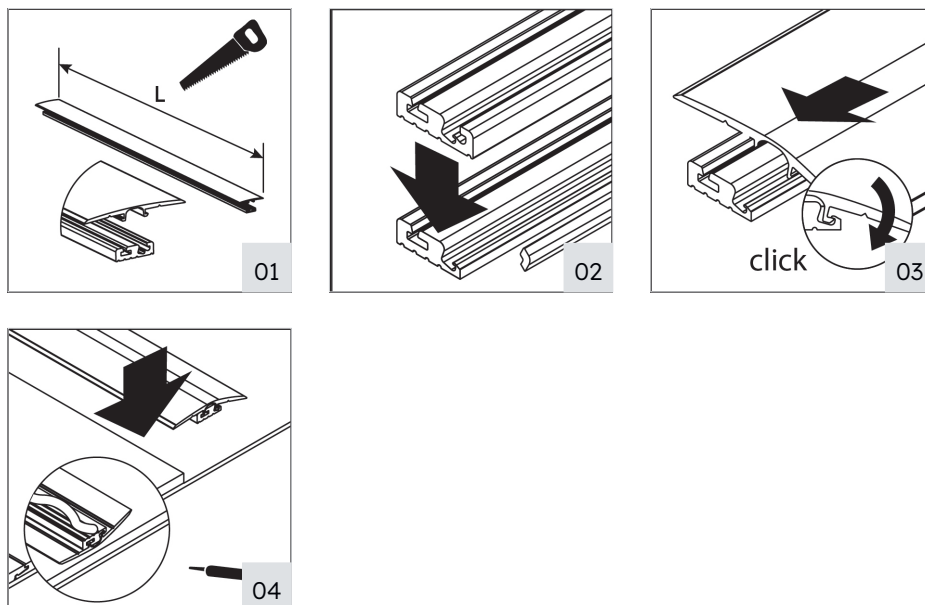
An expansion profile connects two floors of the same height.



- 01 Cut the plastic rail and top profile to the correct length.
- 02 Slide the top profile into the sub profile.
- 03 The rail can be installed with the Moduleo MSK adhesive to any type of surface. Glue the profile in the middle of the open space between the two floor surfaces. Gently press the profile from one side of the rail to the other. Press against the floor.

Adapter profile

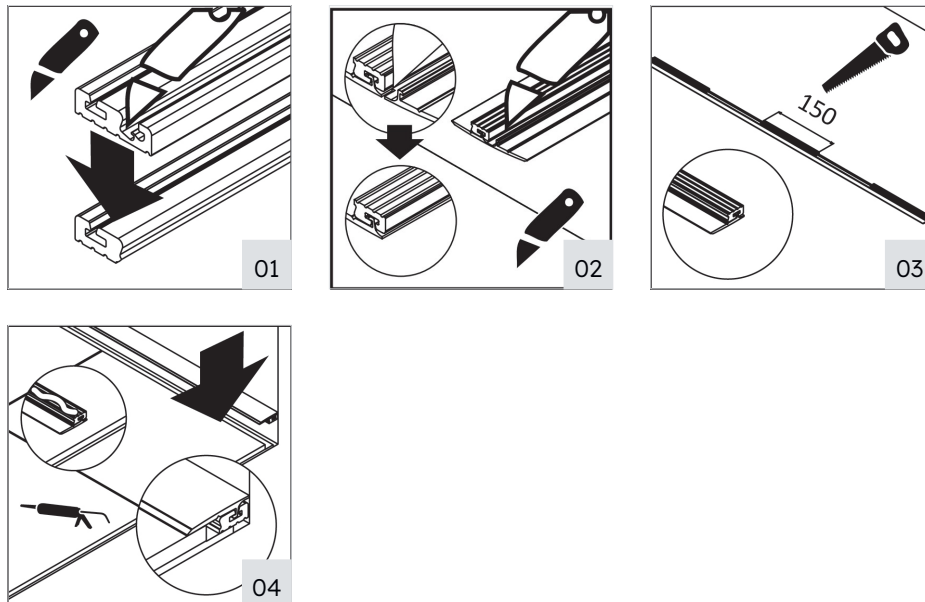
An adapter profile connects two floors of different heights.



- 01 Cut the plastic rail and top profile to the correct length.
- 02 You can easily remove one leg of the subprofile; you can identify it by the white line. Remove this leg.
- 03 Slide in the top profile on one side, and click it in on the other side.
- 04 The rail can be installed with the Moduleo MSK adhesive to any type of surface. Glue the profile to the subfloor. Gently press the profile from one side of the rail to the other. Press against the floor.

End profile

An end profile is used to finish your floor along walls or windows.



- 01 Cut the sub profile along the groove, eliminating the part of the subprofile that has the lighter rim.
- 02 Insert the top profile in the sub profile. Use the sub profile to cut the top profile in two. You now have double the length.
- 03 Cut the sub profile in smaller pieces and slide them into the two top profiles.
- 04 The rail can be installed with the Moduleo MSK adhesive to any type of surface. Glue the profile to the subfloor. Gently press the profile from one side of the rail to the other. Press against the floor.

Unilin bv division flooring
Ooigemstraat 3, B-8710 Wielsbeke
T: +32 56 67 52 11
unilin.com
quick-step.com

